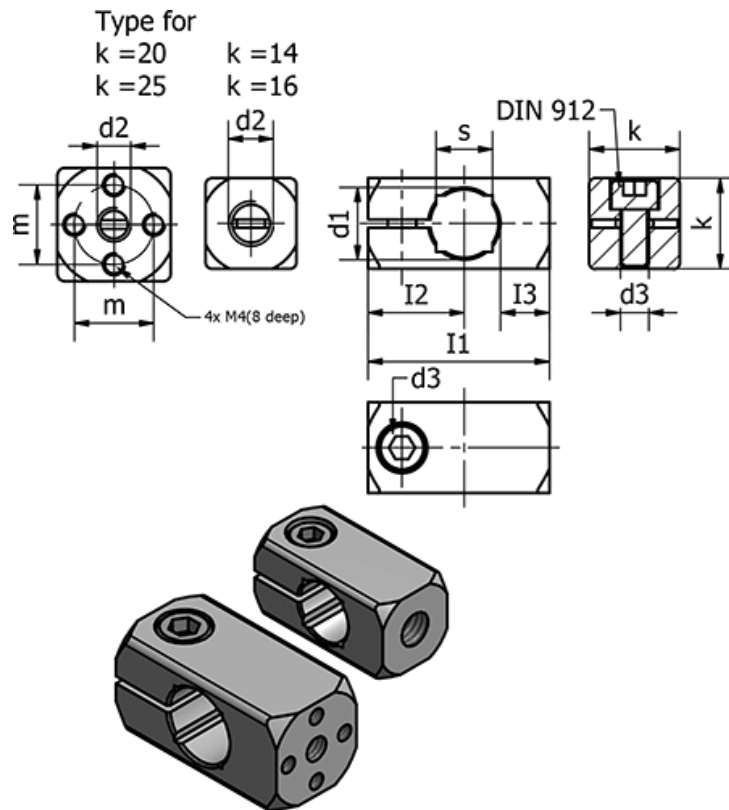


Article number: 20478B12M5MT

Description: E+G Clamp mounting - GN 478-B12-M5-MT

Measures



Clamping kit for d2 = GN 511-M5-16

d1 h11 = 12
 d2 = M5
 d3 = M5
 I1 = 32
 I2 = 17
 I3 = 9
 k = 16

m =
 s = 10
 Weight (g) = 16